

Document title

EURONEXT BLOCK ORDER ENTRY SPECIFICATIONS – FIX 4.2 INTERFACE

Document type or subject

Order Entry – FIX 4.2 Interface

Version number

1.2

Date

7 Dec 2017

Number of pages

20

Author

EURONEXT

This document is for information purposes only. The information and materials contained in this document are provided 'as is' and Euronext does not warrant the accuracy, adequacy or completeness and expressly disclaims liability for any errors or omissions. This document is not intended to be, and shall not constitute in any way a binding or legal agreement, or impose any legal obligation on Euronext. This document and any contents thereof, as well as any prior or subsequent information exchanged with Euronext in relation to the subject matter of this presentation, are confidential and are for the sole attention of the intended recipient. Except as described below, all proprietary rights and interest in or connected with this publication shall vest in Euronext. No part of it may be redistributed or reproduced without the prior written permission of Euronext. Portions of this presentation may contain materials or information copyrighted, trademarked or otherwise owned by a third party. No permission to use these third party materials should be inferred from this presentation.

Euronext refers to Euronext N.V. and its affiliates. Information regarding trademarks and intellectual property rights of Euronext is located at <https://www.euronext.com/terms-use>.

PREFACE

PURPOSE

This document sets out the client message specifications for Euronext Block using the FIX 4.2 protocol. More specifically, it describes the contents of administrative and application messages and provides detailed field descriptions.

ASSOCIATED DOCUMENTS

The following list of the associated documents, which should be read in conjunction with this document or which provide other relevant information for the user:

- Euronext Block Market Data – FIX 4.2 Specifications
- [Euronext Block Service Description \(functional guide\)](#)
- Euronext Block Rule Book

SUPPORT

Euronext Block Team

- Email: blockmtf@euronext.com

Euronext Market Services

Customer Technical Support Group (CTSG)

- Available 09:00-18:00 CET
- Email: ctsg@euronext.com
- Tel: +33 1 85 148 588

For more information, please refer to the Euronext Block website: <https://www.euronext.com/blockmtf>.

CONTENTS

| | |
|--|----------|
| 1. OVERVIEW | 4 |
| 1.1 HOURS OF OPERATION | 4 |
| 1.2 PRODUCTION IP ADDRESS AND PORTS | 4 |
| 1.3 SYMBOLOGY | 4 |
| 1.4 ACCOUNT FIELD | 4 |
| 1.5 MASS CANCEL ON DISCONNECT | 4 |
| 1.6 FAILOVER AND RECOVERY..... | 5 |
| 2. WORKFLOW | 6 |
| 2.1 CONDITIONAL ORDERS | 6 |
| 2.2 FIRM ORDERS | 7 |
| 2.3 INVITATION TO TRADE..... | 8 |
| 3. FIX MESSAGE FIELDS | 9 |
| 3.1 STANDARD FIX PROTOCOL HEADER AND TRAILER | 9 |
| 3.1.1 Header | 9 |
| 3.1.2 Trailer | 9 |
| 3.2 FIX SESSION PROTOCOL | 10 |
| 3.2.1 Heartbeat | 10 |
| 3.2.2 TestRequest | 10 |
| 3.2.3 ResendRequest | 10 |
| 3.2.4 Reject..... | 10 |
| 3.2.5 SequenceReset..... | 10 |
| 3.2.6 Logout | 11 |
| 3.2.7 Logon..... | 11 |
| 3.3 FIX APPLICATION MESSAGES | 12 |
| 3.3.1 NewOrderSingle | 12 |
| 3.3.2 OrderCancelRequest..... | 14 |
| 3.3.3 OrderCancelReplaceRequest | 15 |
| 3.3.4 ExecutionReport | 15 |
| 3.3.5 FirmUp Request..... | 19 |
| 3.3.6 Invitation To Trade (ITT) - IOI | 19 |
| 3.3.7 OrderCancelReject..... | 20 |
| 3.3.8 TradingSessionStatusRequest | 20 |
| 3.3.9 TradingSessionStatus | 20 |
| 3.3.10 SecurityDefinitionRequest..... | 21 |
| 3.3.11 SecurityDefinition..... | 21 |
| 3.3.12 Business Message Reject | 21 |

1. OVERVIEW

1.1 HOURS OF OPERATION

For fully detailed platform availability information including hours of operation, please refer to the Euronext Block website for hours of operation.

1.2 PRODUCTION IP ADDRESS AND PORTS

Members should enable the following IP ranges on their network:

- Primary site IP range: 162.251.206.80/28.
- Disaster Recovery (DR) site IP range: 162.251.206.96/28.

The IP addresses and ports for External User Acceptance (EUA) and Production environments will be made available to members during the onboarding process.

1.3 SYMBOLOGY

Euronext Block uses ISIN symbology

To identify a stock the member:

- must set Symbol (55) to the ISIN;
 - must set SecurityExchange (207) to note the market in which the ISIN trades; and,
 - must set the Currency (15) ISO currency code in which the stock is traded.
 - SecurityID (48) & SecurityID (48) will be ignored.
-

1.4 ACCOUNT FIELD

This field can be populated with two pieces of information:

1. Central Counterparty (CCP) Account Type prefix.

- If this field begins with H: allocate to the house account at the CCP.
- If this field begins with C: allocate to the client account at the CCP.

When the prefix is not present, the AccountType(581) is used to determine which CCP account to use.

2. Trading account name or number:

- This part must be 16 characters or less and will be passed to the CCP.
-

1.5 MASS CANCEL ON DISCONNECT

The Mass Cancel on Disconnect functionality cancels all open orders belonging to the respective FIX session.

With the subsequent login the client will receive cancellations for each order.

1.6 FAILOVER AND RECOVERY

The system has been designed with fault tolerance and disaster recovery in mind in order for trading to continue in the unlikely event of a system or site outage.

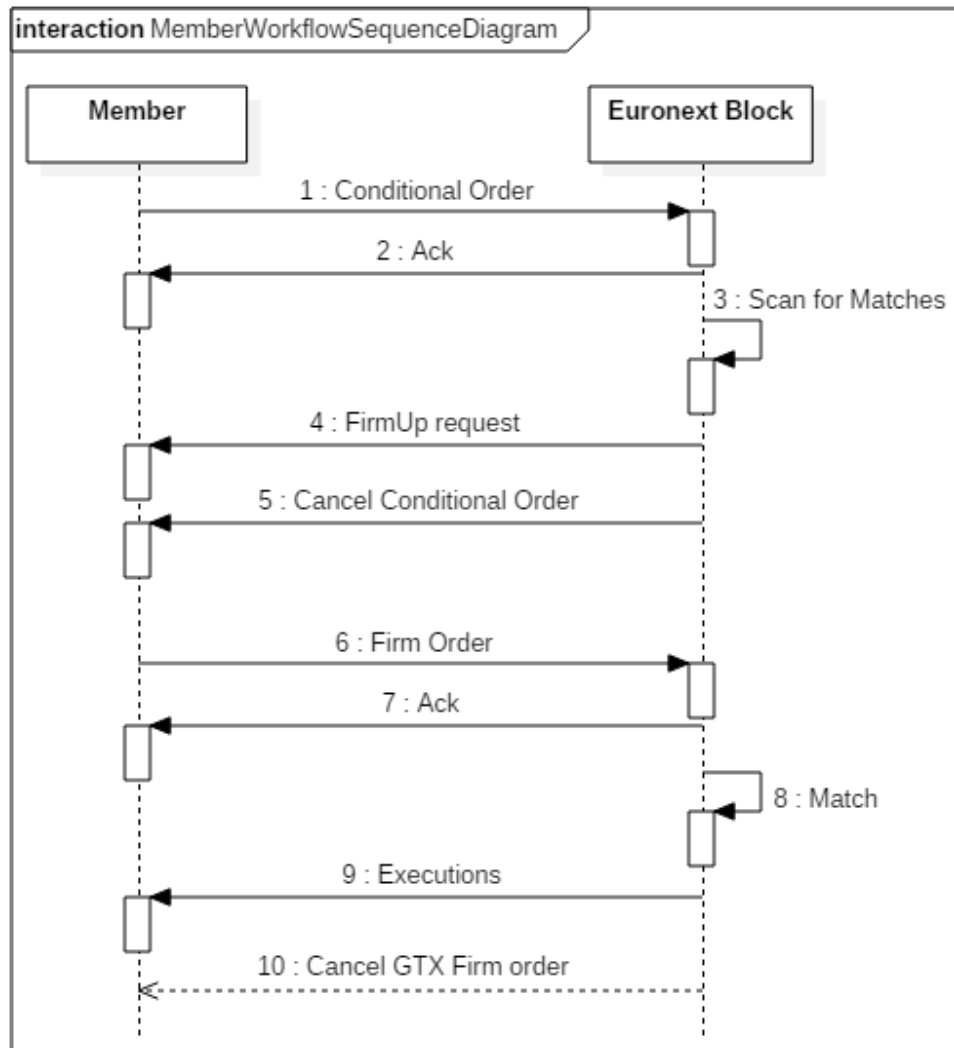
If the client is unexpectedly disconnected from a server in the primary site, it should attempt to re-connect to the backup server in the primary site.

The client should only attempt to connect to the DR site IP addresses and ports only if requested by Euronext.

2. WORKFLOW

The following section outlines the incoming and outgoing message flow for firm and conditional orders, and the optional Invitation to Trade (ITT) messages.

2.1 CONDITIONAL ORDERS



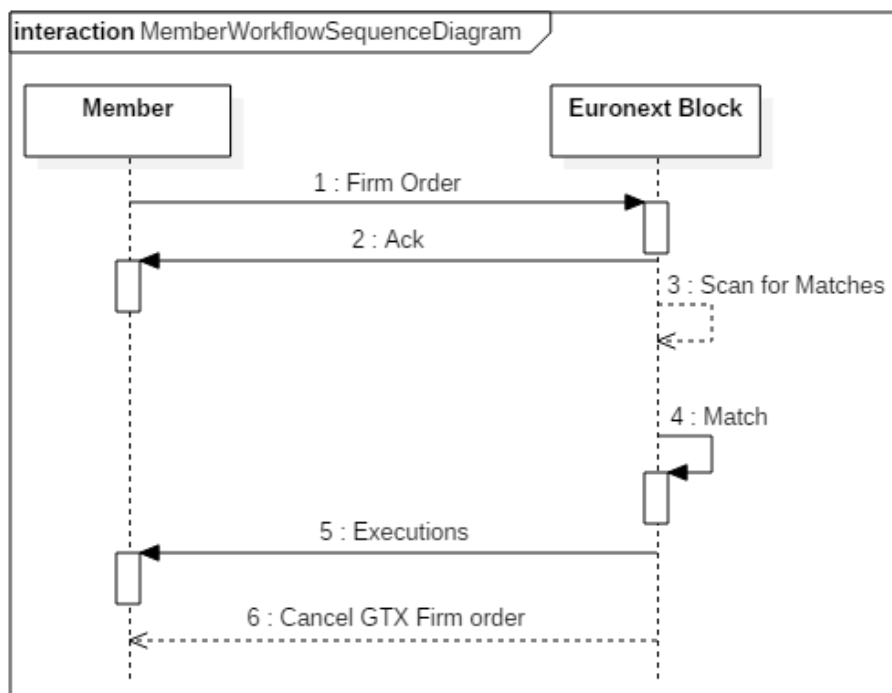
1. Member sends a Conditional Order (via [NewOrderSingle](#) message) to Euronext Block.
2. Euronext Block sends an Acknowledgement (via [ExecutionReport](#) message) to Member.
3. Euronext Block continuously scans for potential matches.

The following steps are performed only if a potential match is found:

4. Euronext Block sends a FirmUp request (via [ExecutionReport](#) message) to Member.
5. Euronext Block sends a Conditional Order Cancel (via [ExecutionReport](#) message) to Member.
6. Member sends a Firm Order (via [NewOrderSingle](#) message) to Euronext Block.

7. Euronext Block sends an acknowledgement (via [ExecutionReport](#) message) to Member.
8. The match takes place.
9. Euronext Block sends executions (via [ExecutionReport](#) message) to Member.
10. Euronext Block cancels any resting GTX orders back to Member (via [ExecutionReport](#) message).

2.2 FIRM ORDERS

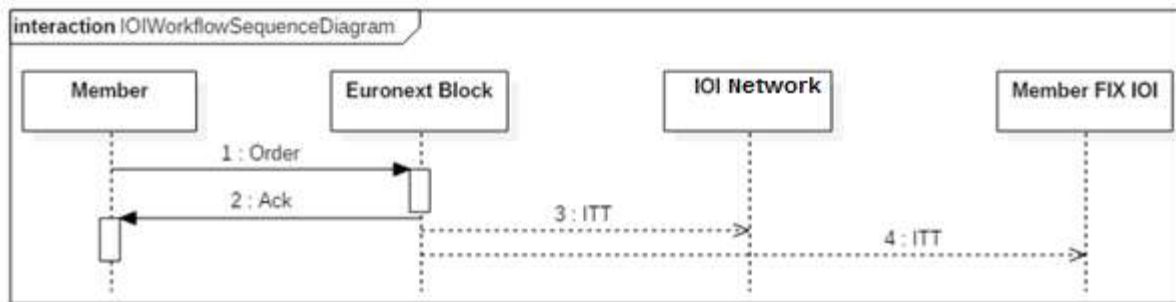


1. Member sends a Firm Order (via [NewOrderSingle](#) message) to Euronext Block.
2. Euronext Block sends an acknowledgement (via [ExecutionReport](#) message) to Member.
3. Euronext Block continuously scans for potential matches.

The following steps are performed only if a potential match is found:

4. The match takes place.
5. Euronext Block sends executions (via [ExecutionReport](#) message) to Member.
6. Euronext Block cancels any resting GTX orders back to Member (via [ExecutionReport](#) message).

2.3 INVITATION TO TRADE



1. Member sends an order (via [NewOrderSingle](#) message) to Euronext Block (with ExecInst containing a 'ITT ON' instruction).
2. Euronext Block sends an acknowledgement (via [ExecutionReport](#) message) to Member.
3. Euronext Block sends an [Invitation To Trade \(ITT\) - IOI](#) to an IOI Network.
4. Euronext Block sends an [Invitation To Trade \(ITT\) - IOI](#) to Member FIX IOI.

3. FIX MESSAGE FIELDS

3.1 STANDARD FIX PROTOCOL HEADER AND TRAILER

The header and trailer structure is the same for all messages.

3.1.1 Header

| Tag | Field | Type | Required | Notes |
|-----|-----------------|--------------|-----------------|-------------------|
| 8 | BeginString | String | Y | Always FIX.4.2 |
| 9 | BodyLength | int | Y | |
| 35 | MsgType | String | Y | |
| 49 | SenderCompID | String | Y | |
| 56 | TargetCompID | String | Y | |
| 34 | MsgSeqNum | int | Y | |
| 50 | SenderSubID | String | N | |
| 57 | TargetSubID | String | N | |
| 43 | PossDupFlag | Boolean | Y for resend | |
| 52 | SendingTime | UTCTimestamp | Y | |
| 122 | OrigSendingTime | UTCTimestamp | Y for resend | |

3.1.2 Trailer

| Tag | Field | Type | Required | Notes |
|-----|----------|--------|----------|-------|
| 10 | Checksum | String | Y | |

3.2 FIX SESSION PROTOCOL

3.2.1 Heartbeat

MsgType = 0

| Tag | Field | Type | Required | Notes |
|-----|-----------|--------|----------|-------|
| 112 | TestReqID | String | N | |

3.2.2 TestRequest

MsgType = 1

| Tag | Field | Type | Required | Notes |
|-----|-----------|--------|----------|-------|
| 112 | TestReqID | String | N | |

3.2.3 ResendRequest

MsgType = 2

| Tag | Field | Type | Required | Notes |
|-----|------------|------|----------|-------|
| 7 | BeginSeqNo | int | Y | |
| 16 | EndSeqNo | int | Y | |

3.2.4 Reject

MsgType = 3

| Tag | Field | Type | Required | Notes |
|-----|---------------------|--------|----------|-------|
| 45 | RefSeqNum | int | Y | |
| 371 | RefTagID | int | N | |
| 372 | RefMsgType | String | N | |
| 373 | SessionRejectReason | int | N | |
| 58 | Text | String | N | |

3.2.5 SequenceReset

MsgType = 4

| Tag | Field | Type | Required | Notes |
|-----|-------------|---------|----------|-------|
| 123 | GapFillFlag | Boolean | N | |
| 36 | NewSeqNo | int | Y | |

3.2.6 Logout

MsgType = 5

| Tag | Field | Type | Required | Notes |
|-----|-------|--------|----------|-------|
| 58 | Text | String | N | |

3.2.7 Logon

MsgType = A

| Tag | Field | Type | Required | Notes |
|-----|-----------------|---------|----------|----------|
| 98 | EncryptMethod | int | Y | Always 0 |
| 108 | HeartBeatInt | int | Y | |
| 95 | RawDataLength | Length | N | |
| 96 | RawData | Data | N | |
| 141 | ResetSeqNumFlag | Boolean | N | |
| 383 | MaxMessageSize | int | N | |

3.3 FIX APPLICATION MESSAGES

3.3.1 NewOrderSingle

MsgType = D

| Tag | Field | Type | Required | Notes |
|------|------------------|----------------------|----------|---|
| 11 | ClOrdID | String | Y | |
| 21 | HandlInst | char | Y | Always 2 |
| 18 | ExecInst | MultipleValue String | N | <p>Can contain multiple instructions, space or comma delimited.</p> <p>If OrdType=P, then one of the following values (ExecInst = M, T, or P) must be specified.</p> <p>Pegged price related options:</p> <ul style="list-style-type: none"> • M = MID_PRICE_PEG • T = NEAR_TOUCH_PEG • P = FAR_TOUCH_PEG <p>Send Invitation To Trade (ITT):</p> <ul style="list-style-type: none"> • X0 = ITT ON • X1 = ITT OFF (default) <p>Instructions below are only used when instruction X0 (ITT ON) is selected.</p> <p>Content options:</p> <ul style="list-style-type: none"> • X2 = BLIND (default) • X3 = DISCLOSED <p>Distribution options:</p> <ul style="list-style-type: none"> • X5 = ALL (default) • X6 = BUYSIDE_ALL • X9 = SELLSIDE |
| 6075 | Trigger | String | N | <ul style="list-style-type: none"> • SHOW(ACR1 ACR2) • BLOCK(ACR3 ACR4) |
| 110 | MinQty | Qty | N | |
| 55 | Symbol | String | Y | ISIN |
| 207 | SecurityExchange | Exchange | Y | MIC |
| 15 | Currency | Currency | Y | |
| 54 | Side | char | Y | <ul style="list-style-type: none"> • 1 = Buy • 2 = Sell |
| 60 | TransactTime | UTCTimestamp | Y | YYYYMMDD-HH:MM:SS.ssssss |
| 38 | OrderQty | Qty | Y | |

| Tag | Field | Type | Required | Notes |
|-------|-----------------|-------------|----------------------|---|
| 40 | OrdType | char | Y | <ul style="list-style-type: none"> 1 = Market 2 = Limit P = Pegged |
| 44 | Price | Price | N | |
| 59 | TimeInForce | char | N | <ul style="list-style-type: none"> 0 = Day 5 = GTX (Good Till Cross) |
| 58 | Text | String | N | |
| 211 | PegDifference | PriceOffset | N | |
| 47 | OrderCapacity | char | Y for Firm Order | <ul style="list-style-type: none"> A = Agency (maps to 'AOTC') P = Principal (maps to 'DEAL') R = Riskless Principal (maps to 'MTCH') |
| 1 | Account | String | N | <p>If Client-side Tag 1 is prefixed with C: or H: then its value (including C: or H:) will pass through to Central Counterparty (CCP).</p> <p>If Client-side Tag 1 is not prefixed with C: or H: then its value does not pass through to CCP.</p> |
| 6969 | CustomOrderType | Boolean | N | <p>Custom field</p> <ul style="list-style-type: none"> N - Firm Order (default) Y - Conditional Order |
| 6617 | OrdRefId | String | N | If the Firm Order is in response to a FirmUp Request, then value should be ClOrdID of corresponding Conditional Order. |
| 453 | NoPartyIDs | NumInGroup | Y for Firm Order | Indicates the number of instances of the repeating group to follow |
| > 448 | PartyID | String | Y if NoPartyIDs >= 1 | <p>Party identifier/code See PartyIDSource (447) and PartyRole (452)</p> <p>The value must be between 4 and 4,294,967,295</p> <p>Mapping files specifications for the data corresponding to this short code will be provided in a different document</p> <p>Reserved shortcodes:</p> <ul style="list-style-type: none"> Applicable to PartyRole 3 (Client ID): <ul style="list-style-type: none"> 0 = NONE – ID is missing 1 = AGGR – In case of Aggregated orders 2 = PNAL – In case of Pending Allocations Applicable to PartyRole 12 (Executing Trader): <ul style="list-style-type: none"> 3 = Client – Execution decision has been taken by the client |
| > 447 | PartyIDSource | char | Y if NoPartyIDs >= 1 | <ul style="list-style-type: none"> P = Short code identifier <p>Must always be P</p> |

| Tag | Field | Type | Required | Notes |
|-------|---------------------|--------|----------------------|--|
| > 452 | PartyRole | int | Y if NoParty/Ds >= 1 | Specifies the role of the party to the trade. Currently, only the following values are valid: <ul style="list-style-type: none"> • 3 = Client ID • 12 = Executing Trader (the Executing Decision Maker) • 26 = Correspondent Broker (= Non-executing Broker) • 122 = Investor ID (the Investment Decision Maker) |
| >2376 | PartyRoleQualifier | int | Y if NoParty/Ds >= 1 | Provides further qualification of the PartyRole value. Valid values are: <ul style="list-style-type: none"> • 0 = None (applicable only for the reserved Party IDs) • 22 = Algorithm (applicable to PartyRole values 12 or 122) • 23 = Firm or legal entity (LEI) (applicable to PartyRole value 3) • 24 = Natural person (applicable to PartyRole values 3, 12 and 122) |
| 581 | AccountType | int | Y for Firm Order | Specifies the CCP account <ul style="list-style-type: none"> • 1 = Client • 3 = House Please see section 1.4 above |
| 8015 | OrderAttributeTypes | int | N | <ul style="list-style-type: none"> • 4 = Algorithmic order. This indicates that the order was placed as a result of an investment firm engaging in algorithmic trading Other values are unsupported and will be rejected. |
| 1724 | OrderOrigination | int | Y for Firm Order | <ul style="list-style-type: none"> • 5 = DEA. Indicates DEA activity (as defined by MiFID II). • 0 = Non-DEA (default) Other values are unsupported and will be rejected |
| 109 | ClientID | String | N | Optional client identifier for future use |

3.3.2 OrderCancelRequest

MsgType = F

| Tag | Field | Type | Required | Notes |
|-----|------------------|--------------|----------|--------------------------|
| 41 | OrigClOrdID | String | Y | |
| 37 | OrderID | String | N | |
| 11 | ClOrdID | String | Y | |
| 55 | Symbol | String | Y | ISIN |
| 207 | SecurityExchange | Exchange | Y | MIC |
| 15 | Currency | Currency | Y | |
| 54 | Side | char | Y | |
| 60 | TransactTime | UTCTimestamp | Y | YYYYMMDD-HH:MM:SS.ssssss |
| 38 | OrderQty | Qty | Y | |
| 58 | Text | String | N | |

3.3.3 OrderCancelReplaceRequest

MsgType = G

| Tag | Field | Type | Required | Notes |
|-----|------------------|--------------|----------|--------------------------|
| 37 | OrderID | String | N | |
| 41 | OrigClOrdID | String | Y | |
| 11 | ClOrdID | String | Y | |
| 21 | HandlInst | char | Y | |
| 110 | MinQty | Qty | N | |
| 55 | Symbol | String | Y | ISIN |
| 207 | SecurityExchange | Exchange | Y | MIC |
| 15 | Currency | Currency | Y | |
| 54 | Side | char | Y | Copy of original order |
| 60 | TransactTime | UTCTimestamp | Y | YYYYMMDD-HH:MM:SS.ssssss |
| 38 | OrderQty | Qty | Y | |
| 40 | OrdType | char | Y | Copy of original order |
| 44 | Price | Price | N | |
| 211 | PegDifference | PriceOffset | N | |
| 59 | TimeInForce | char | N | |
| 58 | Text | String | N | |

3.3.4 ExecutionReport

MsgType = 8

| Tag | Field | Type | Required | Notes |
|-----|------------------|----------|----------|--|
| 37 | OrderID | String | Y | |
| 11 | ClOrdID | String | Y | |
| 41 | OrigClOrdID | String | N | |
| 17 | ExecID | String | Y | |
| 20 | ExecTransType | char | Y | <ul style="list-style-type: none"> • 0 = New • 1 = Cancel • 2 = Correct |
| 19 | ExecRefID | String | N | Use when ExecTransType = 1 or 2 |
| 150 | ExecType | char | Y | <ul style="list-style-type: none"> • 0 = New • 1 = Partial Fill • 2 = Fill • 4 = Canceled • 5 = Replace • 8 = Rejected |
| 39 | OrdStatus | char | Y | See ExecType. |
| 103 | OrdRejReason | int | N | <ul style="list-style-type: none"> • 0 = Broker / Exchange option • 1 = Unknown symbol • 2 = Exchange closed • 5 = Unknown order • 6 = Duplicate order <p>For future use</p> <ul style="list-style-type: none"> • 3 = Order exceeds limit • 4 = Too late to enter • 8 = Stale order • 10 = Invalid Investor ID • 11 = Unsupported order characteristic • 12 = Surveillance Option • 13 = Incorrect quantity • 14 = Incorrect allocated quantity • 15 = Unknown account(s) • 16 = Price exceeds current price band • 18 = Invalid price increment • 99 = Other |
| 55 | Symbol | String | Y | ISIN |
| 207 | SecurityExchange | Exchange | Y | MIC |
| 15 | Currency | Currency | Y | |
| 54 | Side | char | Y | <ul style="list-style-type: none"> • 1 = Buy • 2 = Sell |
| 38 | OrderQty | Qty | Y | |
| 32 | LastShares | Qty | N | |

| Tag | Field | Type | Required | Notes |
|-------|------------------|--------------|----------------------|---|
| 31 | LastPx | Price | N | |
| 151 | LeavesQty | Qty | Y | |
| 14 | CumQty | Qty | Y | |
| 6 | AvgPx | Price | Y | |
| 60 | TransactTime | UTCTimestamp | N | YYYYMMDD-HH:MM:SS.ssssss |
| 58 | Text | String | N | |
| 47 | OrderCapacity | char | N | Copy from Order |
| 1 | Account | String | N | Copy from Order or default value if empty |
| 29 | LastCapacity | char | Y | Capacity on order execution. This reflects the order capacity <ul style="list-style-type: none"> • 1 = Agent (maps to 'AOTC') • 3 = Cross as Principal (maps to 'MTCH') • 4 = Principal (maps to 'DEAL') |
| 30 | LastMkt | Exchange | Y | XSMP |
| 851 | LastLiquidityInd | int | Y | <ul style="list-style-type: none"> • 4 = Auction |
| 453 | NoPartyIDs | NumInGroup | Y for Firm Order | Indicates the number of instances of the repeating group to follow |
| > 448 | PartyID | String | Y if NoPartyIDs >= 1 | <p>Party identifier/code See PartyIDSource (447) and PartyRole (452)</p> <p>The value must be between 4 and 4,294,967,295</p> <p>Mapping files specifications for the data corresponding to this short code will be provided in a different document</p> <p>Reserved shortcodes:</p> <ul style="list-style-type: none"> • Applicable to PartyRole 3 (Client ID): <ul style="list-style-type: none"> ○ 0 = NONE – ID is missing ○ 1 = AGGR – In case of Aggregated orders ○ 2 = PNAL – In case of Pending Allocations • Applicable to PartyRole 12 (Executing Trader): <ul style="list-style-type: none"> 3 = Client – Execution decision has been taken by the client |
| > 447 | PartyIDSource | char | Y if NoPartyIDs >= 1 | <ul style="list-style-type: none"> • P = Short code identifier <p>Must always be P</p> |

| Tag | Field | Type | Required | Notes |
|-------|---------------------------|------|----------------------------|--|
| > 452 | PartyRole | int | Y if NoPartyIDs >= 1 | Specifies the role of the party to the trade. Currently, only the following values are valid: <ul style="list-style-type: none"> • 3 = Client ID • 12 = Executing Trader (the Executing Decision Maker) • 26 = Correspondent Broker (= Non-executing Broker) • 122 = Investor ID (the Investment Decision Maker) |
| >2376 | PartyRoleQualifier | int | Y if NoPartyIDs >= 1 | Provides further qualification of the PartyRole value. Valid values are: <ul style="list-style-type: none"> • 0 = None (applicable only for the reserved Party IDs) • 22 = Algorithm (applicable to PartyRole values 12 or 122) • 23 = Firm or legal entity (LEI) (applicable to PartyRole value 3) • 24 = Natural person (applicable to PartyRole values 3, 12 and 122) |
| 581 | AccountType | int | Y for Firm Order | <ul style="list-style-type: none"> • 1 = Client • 3 = House Please see section 1.4 above |
| 8015 | OrderAttributeTypes | int | N | <ul style="list-style-type: none"> • 4 = Algorithmic order. This indicates that the order was placed as a result of an investment firm engaging in algorithmic trading Other values are unsupported and will be rejected. |
| 1724 | OrderOrigination | int | Y for Firm Order | <ul style="list-style-type: none"> • 5 = DEA. Indicates DEA activity (as defined by MiFID II). • 0 = Non-DEA (default) Other values are unsupported and will be rejected. |
| 8013 | TrdRegPublication Reasons | int | Y | 9 = Large In Scale |

3.3.5 FirmUp Request

MsgType = 8

| Tag | Field | Type | Required | Notes |
|-----|------------------|--------------|----------|--------------------------------------|
| 37 | OrderID | String | Y | = ExecID |
| 11 | ClOrdID | String | Y | Related Conditional Order's ClOrdID. |
| 17 | ExecID | String | Y | |
| 20 | ExecTransType | char | Y | Always 0 = New |
| 150 | ExecType | char | Y | Always 0 = New |
| 39 | OrdStatus | char | Y | Always D = Accepted for bidding |
| 55 | Symbol | String | Y | ISIN |
| 207 | SecurityExchange | Exchange | Y | MIC |
| 15 | Currency | Currency | Y | |
| 54 | Side | char | Y | Copy from Conditional Order. |
| 38 | OrderQty | Qty | Y | Copy from Conditional Order. |
| 151 | LeavesQty | Qty | Y | = OrderQty |
| 14 | CumQty | Qty | Y | Always 0 |
| 6 | AvgPx | Price | Y | Always 0 |
| 60 | TransactTime | UTCTimestamp | N | YYYYMMDD-HH:MM:SS.ssssss |
| 58 | Text | String | N | |

3.3.6 Invitation To Trade (ITT) - IOI

MsgType = 6

| Tag | Field | Type | Required | Notes |
|-----|------------------|----------|----------|--|
| 23 | IOIid | String | Y | |
| 28 | IOITransType | char | Y | <ul style="list-style-type: none"> • C = Cancel • N = New • R = Replace |
| 26 | IOIRefID | String | N | |
| 55 | Symbol | String | Y | ISIN |
| 207 | SecurityExchange | Exchange | Y | MIC |
| 15 | Currency | Currency | Y | |
| 54 | Side | char | Y | <ul style="list-style-type: none"> • 1 = Buy • 2 = Sell • 7 = Undisclosed |
| 27 | IOIShares | String | Y | |

| Tag | Field | Type | Required | Notes |
|-----|--------------|--------------|----------|--------------------------|
| 44 | Price | Price | N | |
| 58 | Text | String | N | |
| 60 | TransactTime | UTCTimestamp | N | YYYYMMDD-HH:MM:SS.ssssss |

3.3.7 OrderCancelReject

MsgType = 9

| Tag | Field | Type | Required | Notes |
|-----|------------------|--------------|----------|--------------------------|
| 37 | OrderID | String | Y | |
| 11 | ClOrdID | String | Y | |
| 41 | OrigClOrdID | String | Y | |
| 39 | OrdStatus | char | Y | |
| 60 | TransactTime | UTCTimestamp | N | YYYYMMDD-HH:MM:SS.ssssss |
| 434 | CxlRejResponseTo | char | Y | |
| 102 | CxlRejReason | int | N | |
| 58 | Text | String | N | |

3.3.8 TradingSessionStatusRequest

MsgType = g

| Tag | Field | Type | Required | Notes |
|-----|-------------------------|--------|----------|--|
| 335 | TradSesReqID | String | Y | |
| 336 | TradingSessionID | String | Y | MIC |
| 263 | SubscriptionRequestType | char | Y | <ul style="list-style-type: none"> • 0 = Snapshot • 1 = Subscribe • 2 = Unsubscribe |

3.3.9 TradingSessionStatus

MsgType = h

| Tag | Field | Type | Required | Notes |
|-----|------------------|--------|----------|-------|
| 335 | TradSesReqID | String | N | |
| 336 | TradingSessionID | String | Y | MIC |

| Tag | Field | Type | Required | Notes |
|-----|---------------|------|----------|---|
| 340 | TradSesStatus | int | Y | <ul style="list-style-type: none"> • 1 = Halted • 2 = Open • 3 = Closed • 4 = Pre-Open • 5 = Pre-Close |

3.3.10 SecurityDefinitionRequest

MsgType = c

| Tag | Field | Type | Required | Notes |
|-----|---------------------|----------|----------|----------|
| 320 | SecurityReqID | String | Y | |
| 321 | SecurityRequestType | int | Y | Always 0 |
| 207 | SecurityExchange | Exchange | N | MIC |

3.3.11 SecurityDefinition

MsgType = d

| Tag | Field | Type | Required | Notes |
|-------|--------------------|----------|----------|-------|
| 320 | SecurityReqID | String | Y | |
| 322 | SecurityResponseID | String | Y | |
| 393 | TotalNumSecurities | int | Y | |
| 55 | Symbol | String | Y | ISIN |
| 207 | SecurityExchange | Exchange | Y | MIC |
| 15 | Currency | Currency | Y | |
| 30000 | LIS | Price | Y | |
| 5011 | OrderMaxValue | Price | Y | |

3.3.12 Business Message Reject

MsgType = j

| Tag | Field | Type | Required | Notes |
|-----|----------------------|--------|----------|-------|
| 45 | RefSeqNum | int | N | |
| 372 | RefMsgType | String | Y | |
| 380 | BusinessRejectReason | int | Y | |
| 58 | Text | String | N | |

APPENDIX A: REVISION HISTORY

Please email questions or comments regarding this document to blockmtf@euronext.com.

| DATE | CHANGE DESCRIPTION |
|-------------|--|
| 15 Jun 2017 | Initial draft version. |
| 05 Oct 2017 | MIFID2 changes |
| 07 Dec 2017 | MIFID2 fields not mandated on Conditional Orders |
| | |