



# Quote cancellation in the event of abnormal SLE disconnection:

## Messages, rules and details

STATUS

**Version 1.0 August 2008**

## VERSION HISTORY

<b>Version Number</b>	<b>Date</b>	<b>Reasons for Issuing a New Version</b>	<b>Sections Changed</b>
V1.0	17/03/08	First version of the document	
V2.0	25/06/08	Adaptation of the document for LP only	All

## TABLE OF CONTENTS

<b>1- INTRODUCTION .....</b>	<b>4</b>
<b>A. GENERALITY .....</b>	<b>4</b>
<b>B. GENERAL ARCHITECTURE .....</b>	<b>4</b>
<b>2- OVERVIEW OF THE SERVICE .....</b>	<b>5</b>
<b>A. MAIN PRINCIPLES.....</b>	<b>5</b>
<b>B. OPERATING MODE OF THE NEW MESSAGES BY THE SLE .....</b>	<b>6</b>
<b>3- OVERVIEW OF MAIN MESSAGE FLOWS .....</b>	<b>7</b>

## 1- Introduction

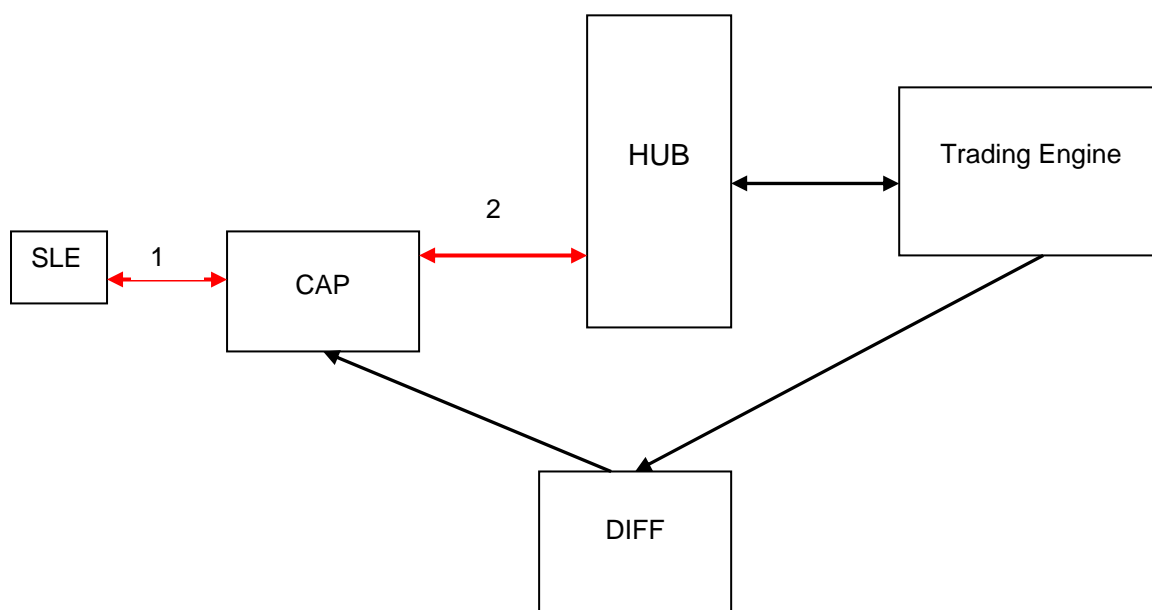
### a. Generality

With the volatility of the markets, it is very important for LP members to have their quotes cancelled if they have no visibility on them. One such case could be the disconnection of their SLE which prevents them from receiving messages from the trading engine.

In the case of an abnormal SLE disconnection, if the LP opted for this service, all outstanding quotes (either Bulk Quotes or Orders flagged as LP) that were sent via this SLE are automatically cancelled.

For each instrument with at least one eliminated quote, an elimination message is sent to the SLE, and a message is sent to confirm the end of the purge.

### b. General architecture



In case of abnormal SLE disconnection (link 1 or 2 failed), quotes are cancelled.

## 2- **Overview of the service**

### a. **Main principles**

When the HUB detects the abnormal disconnection of an SLE, it sends a cancellation message to the Warrants market engine. Upon receipt of this message, the trading engine treats the order cancellation for the SLE. All outstanding LP Quotes originally sent by the SLE are then automatically cancelled.

For each instrument with at least one eliminated quote, a 0139 message is sent to the SLE, and a 0175 message is sent to confirm the end of the purge.

The normal market rules will apply: no instrument or group whose status is frozen or forbidden will be cancelled.

If the SLE has not sent any messages since the last connection, no 0139 or 0175 messages will be sent.

#### Several scenarios:

- If the OUT way is disconnected first, the IN way will be disconnected automatically in order to prevent the SLE from sending quotes during the purge
- If the IN way is disconnected first, the OUT way is left unchanged (either connected or disconnected).

#### Limitations:

- In case of a failover of the HUB to the disaster recovery site of Euronext causing all SLEs to be disconnected, no purge will occur
- This service is only available for an SLE for which only one member code is configured. An SLE that is configured for multiple members cannot use this service.

This service is optional and must be subscribed to by the member. The customer must complete the appropriate form and, when activated on the EUA platform, the client must perform the test scripts before being activated on the production platform.

**b. Operating mode of the new messages by the SLE**

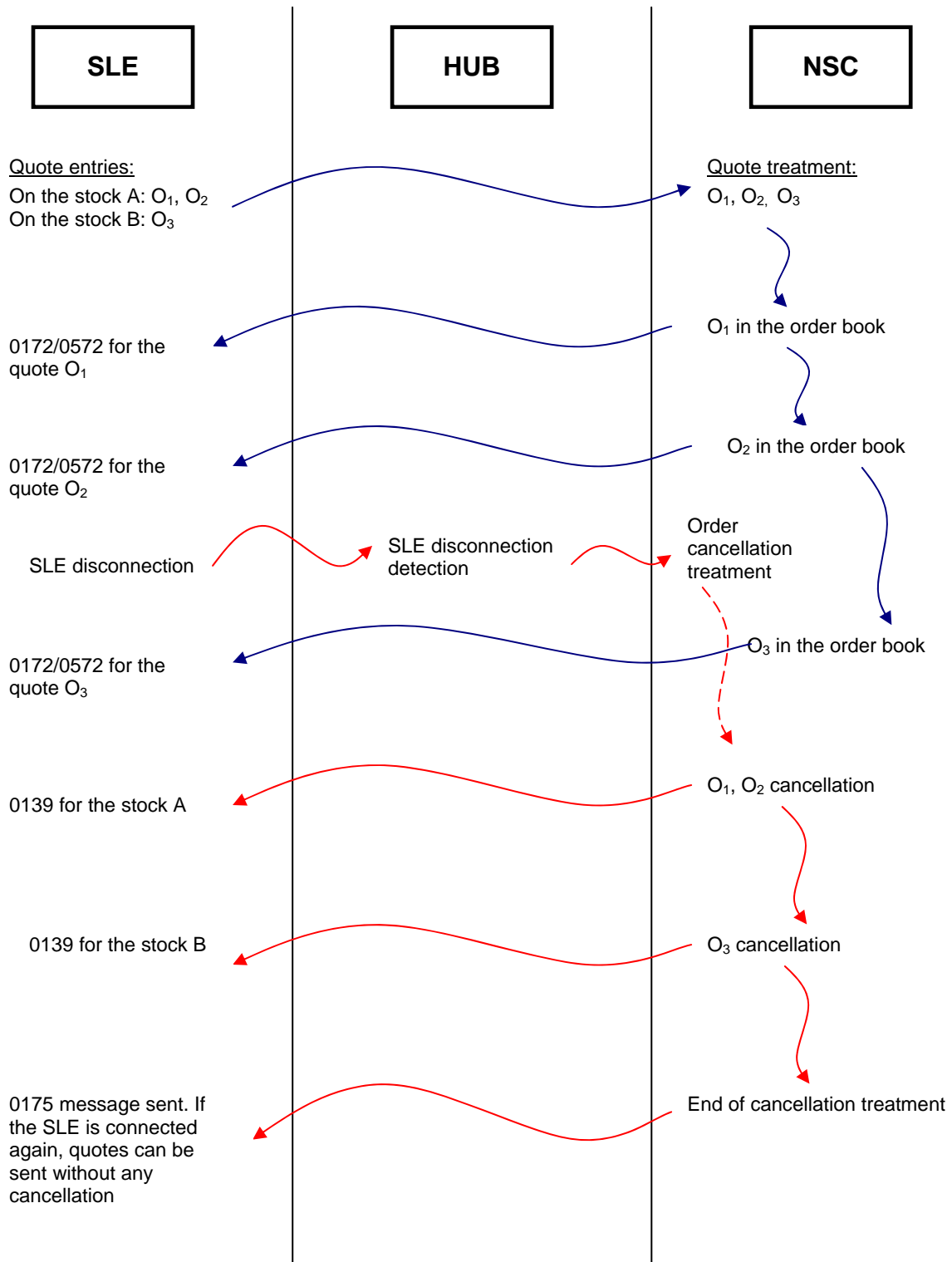
It is strongly recommended that the below procedure is followed when reconnecting.

Reconnection and the reinjection of quotes should happen after message 0175 (FIX 35=7) has been received. The normal order of messages should be the following:

- Reception of 0172 and/or 0572 (FIX 35=8 / 35=U0572) messages prior to disconnection
- Reception of one 0139 (FIX U0139) message per instrument, and clean-up of the order book of each instrument concerned on the member side
- Reception of the 0175 (FIX 35=7) message that confirms the end of the cancellation
- Start of the sending of quotes

N.B.: The 0172 and/or 0572 (FIX 35=8 / 35=U0572) messages are sent before disconnection, but depending on when disconnection occurs, some 0172 and/or 0572 (FIX 35=8 / 35=U0572) messages might still be received by the SLE after its reconnection and before the 0139 (FIX U0139) messages.

### 3- Overview of main message flows



For a full description of the messages please refer to the latest versions of the following documents on the Euronext website:

- **Euronext FIX trading interface** for the FIX protocol
- **Specifications for SLE access to NSC-VE, NSC-VW and NSC-VL applications** for the MMTP protocol
- **Dedicated LP specifications for SLE access to NSC-VW application, v1.2**, for a complete description of the new market model messages